

THERMOSTAT MODULE

CH035

v1.0

Product features:

- To be installed in the wall behind switches or fixtures
- 2 switch inputs
- RS-485 interface
- 12V power supply output for NGBS iCON thermostat
- Optional external temperature sensor
- Status LED



Parameter	Condition	Value			Unit
		Min	Typical	Max	
Power supply			12,0	15,0	V
Power consumption	with iCON		17,0	42,0	mA
Power consumption	without iCON		50,0	100,0	mA
iCON power supply			12,0	15,0	V
RS-485 receiver sensitivity	Rinput ≥ 12Ω		±200		mV
RS-485 receiver voltage			-7...12V		V
RS-485 Max. transmitter voltage	Routput = 54Ω			-7...12	V
RS-485 Min. transmitter voltage			±15V		V
LED power source			12,0		V
Indicator LED power consumption				8,0	mA

Module label	Function
BUS/+	+12Vdv
BUS/D	LS bus data line
BUS/-	ground
BTNS/2	button2 input
BTNS/C	Pushbutton common
BTNS/1	button1 input
LED/2	Indicator LED for #2 button
LED/G	LED ground
LED/1	Indicator LED for #1 button
TMP/-	Power supply (+5Vdc) for thermometer
TMP/D	Thermometer signal
TMP/+	ground for thermometer
+12V	power for thermostat
GND	ground for thermometer
A	Thermostat RS-485 data
B	Thermostat RS-485 data

Status LED	Indication
slow flash	bootloader mode (first 3 sec after power supply)
frequent flash	software started and running
2 short blink	traffic

Environmental parameters	
Safety rating	IP 20
Temperature resistance	0-40 °C



CISPR 24 /IEC 61000-4-3/2006-09
CISPR 24 /IEC 61000-4-6/2014-05
CISPR 322015-11
EN 505812013-02

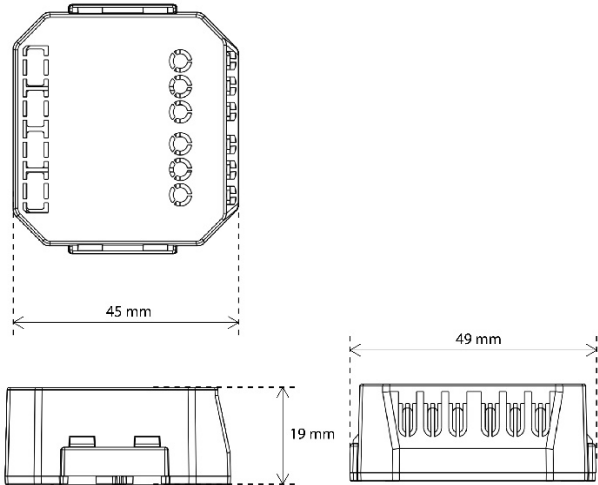
Before installation, please study the
Chameleon Electrical installation guide!



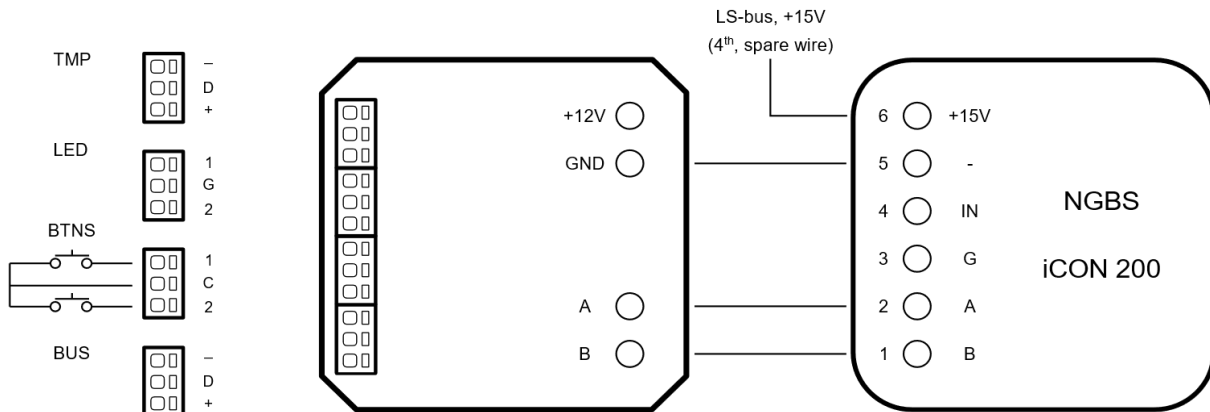
Download the Chameleon Smart Home
App!



Dimensions and Connection Diagram



Wiring with supplying the iCON externally (via the spare wire of the LS bus)



Wiring with supplying the iCON from the module (via a step-up converter)

